

# SPECIFICATIONS

## 1.General Specifications

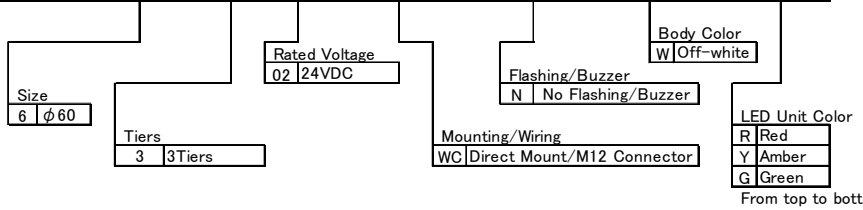
Model		LR6-□02WCNW	
UL Registered Model		LR6_02WCN	
Rated Voltage		24V DC	
Operating Voltage Range		Rated Voltage ±10%	
Signal Wire Current	Typ.	LED Unit : 40mA	
	Max.	LED Unit : 45mA	
Rated Power Consumption(Per Unit)	Typ.	LED Unit : 1W	
	Max.	LED Unit : 1.3W	
Operating Ambient Temperature		-20°C ~ +50°C	
Operating Ambient Humidity		Less than 90% RH(No condensation)	
Storage Ambient Temperature		-30°C ~ +60°C	
Storage Ambient Humidity		Less than 90% RH(No condensation)	
Mounting Location		Indoor Only	
Mounting Direction		Upright	
Protection Rating		IP65(IEC 60529) / NEMA TYPE 4X,13	
Environmental Condition		Upright	
Insulation Resistance		More than 1M at 500VDC between live part and non-current carrying meallic part	
Withstand Voltage		500VAC applied 1min between live part and non-current carrying metallic part without breaking insulation	
Mass (Tolerance ±10%)		LR6-302WCNW :0.35kg , LR6-02WCNW :0.17kg	
Outer Dimensions		Refer to the 2.Outer Dimensions	
Compatible Unit(Optional)		LED Unit Model	Buzzer Unit Model
	LR6	LR6-E-R,Y,G,B,C,RZ,YZ,GZ,BZ,MZ	LR6-BW
Conformity Standards		UL 508, CSA-C22.2 No. 14 RoHS Directive (EN 50581) EMC Directive (EN 61000-6-4, EN 61000-6-2) FCC Part 15 Subpart B Class A KC (EN 61000-6-4, EN 61000-6-2)	
Remarks		UL Recognized Component (File No.E215660) Due to the characteristics of the LED elements, a variation in difference of the color tone and brightness of every product may occur	

LR6-02WC- W18B-1\_7

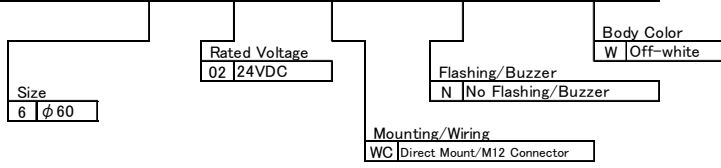
## **PATLITE Corporation**

Model Number Configuration

Assembly Model	Model			Tiers	Rated Voltage	Mounting/Wiring	Flashing/Buzzer	Body Color	LED Unit Color
LR6-302WC-N-W-	LR	6	-	3	02	WC	N	W	RYG



Unit Model (Body Unit)	Model			Rated Voltage	Mounting/Wiring	Flashing/Buzzer	Body Color
LR6-02WC-N-W	LR	6	-	02	WC	N	W

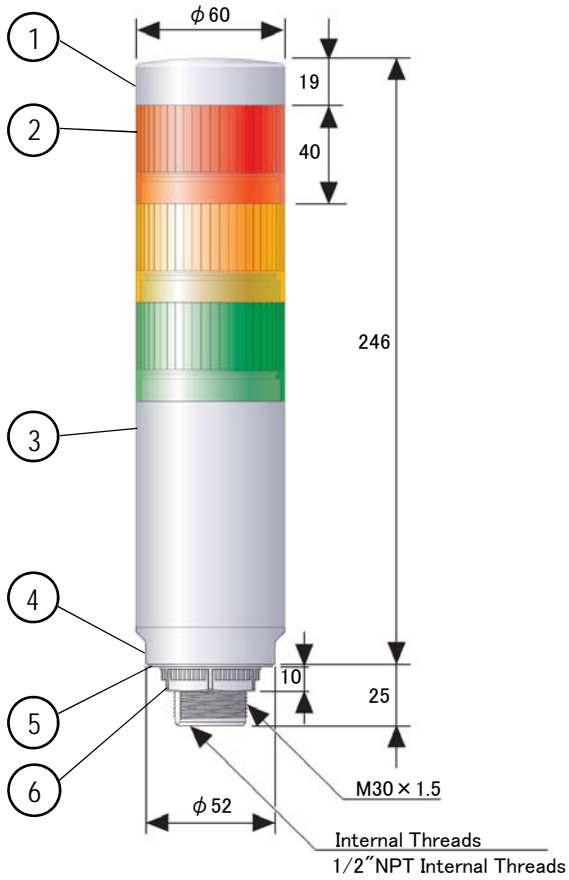


2.1 LR6-302WCNW

(Unit : mm)

■ Assembly Model

**WC** Direct Mount with M12 Connector



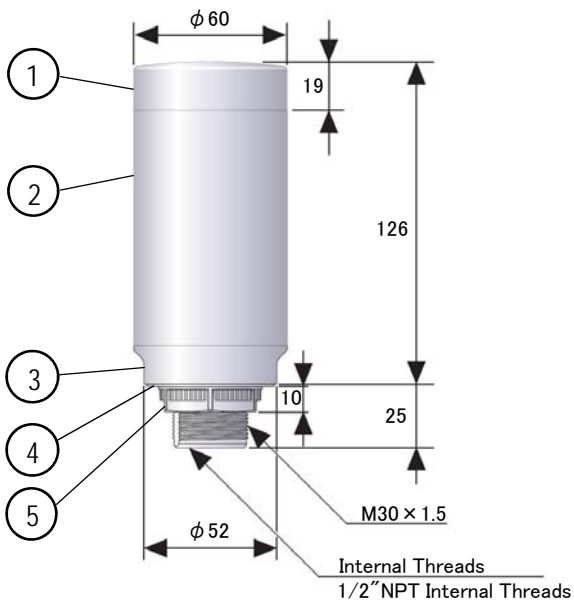
Number	Name	Material	UL Flammability
1	Head Cover	PC	V-2
2	Globe	PC	V-2
3	Body	PC	V-2
4	Direct Mount Bracket	PC	V-2
5	Waterproof Packing (t=1)	Silicone Rubber	-
6	M30 Nut	PC	V-2

•Maximum Board Thickness : 10mm

2.2 LR6-02WCNW

■ Unit Model(Body Unit)

**WC** Direct Mount with M12 Connector

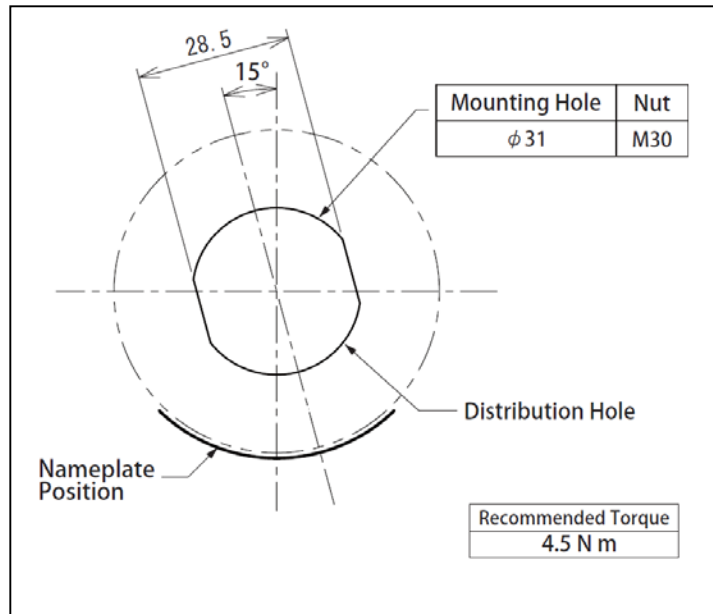


Number	Name	Material	UL Flammability
1	Head Cover	PC	V-2
2	Body	PC	V-2
3	Direct Mount Bracket	PC	V-2
4	Waterproof Packing (t=1)	Silicone Rubber	-
5	M30 Nut	PC	V-2

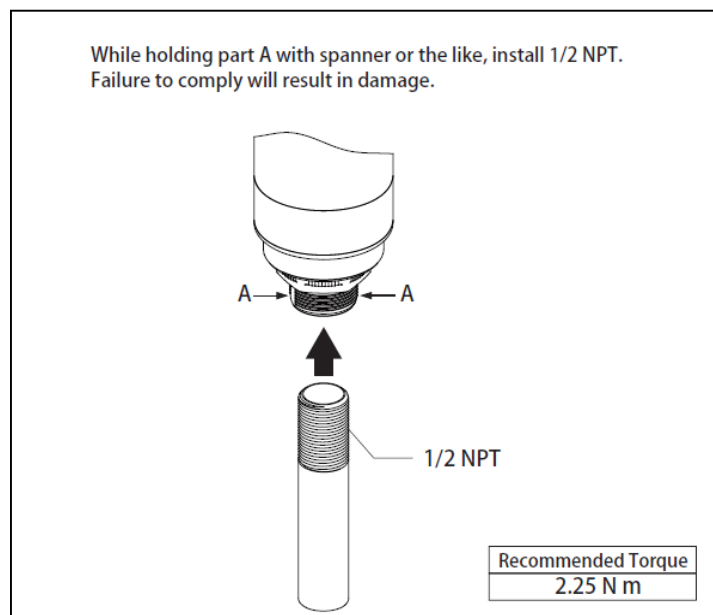
•Maximum Board Thickness : 10mm

3.1 Mounting Dimensional Drawing(M30 × 1.5 Installation)

(Unit : mm)

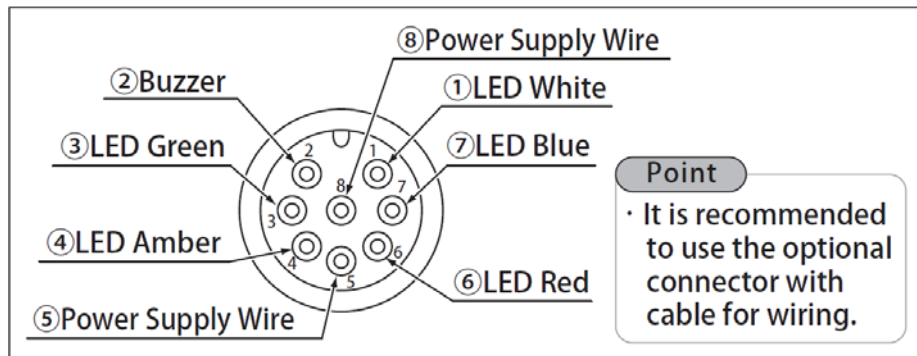


3.2 Installation Figure(1/2 NPT Installation)

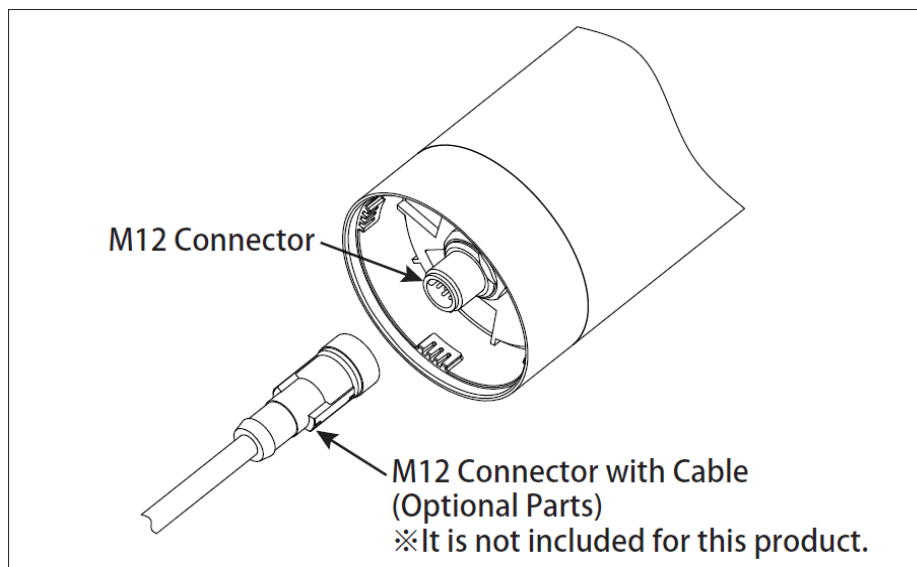


## 4. Wiring Diagram

### 4.1 M12 Connector Pin



### 4.2 Attach the M12 connector with cable to the body unit.



### 4.3 Optional Parts

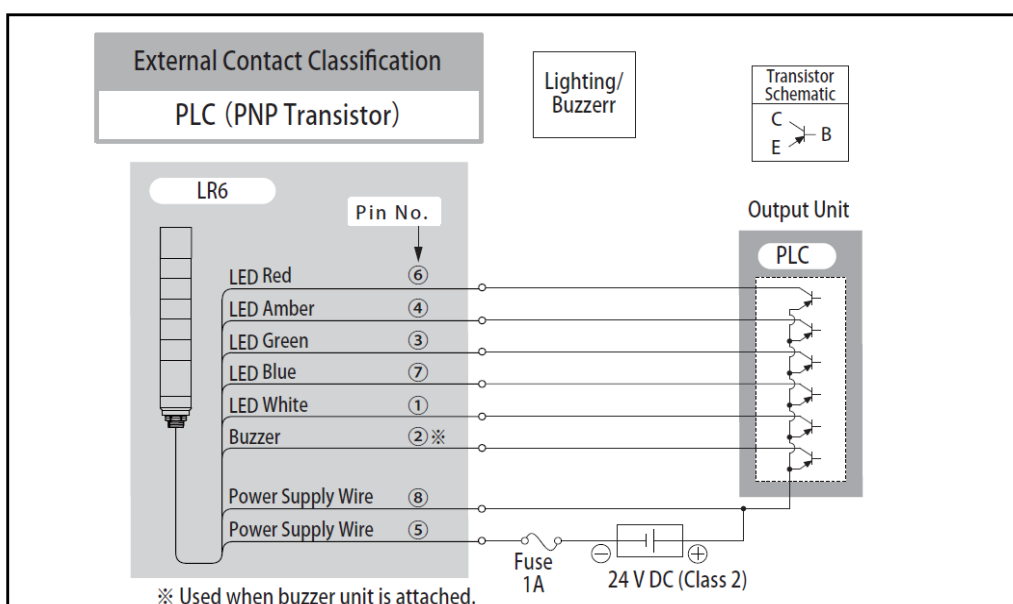
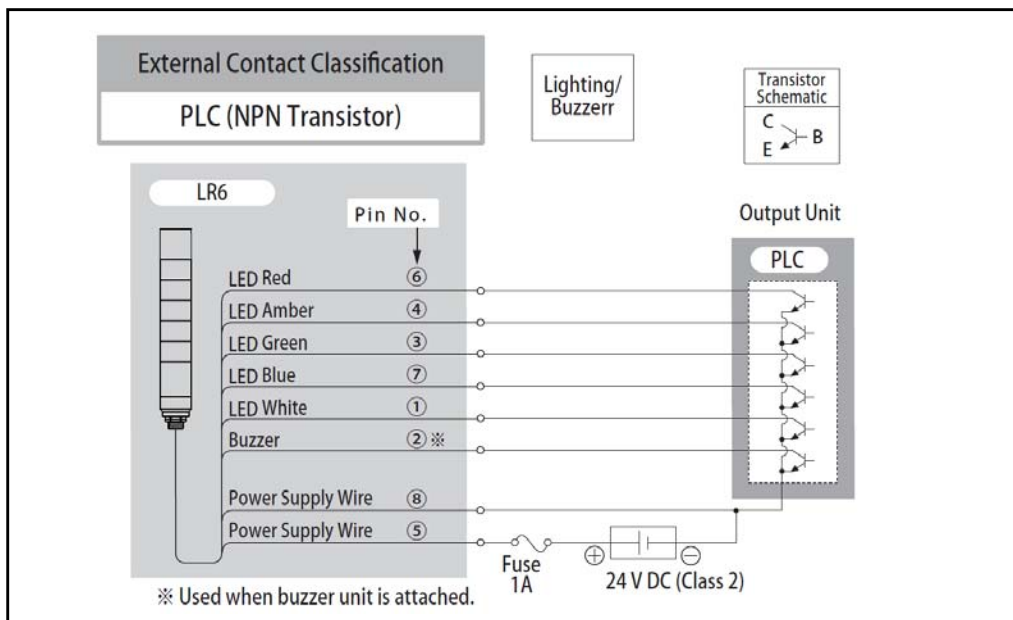
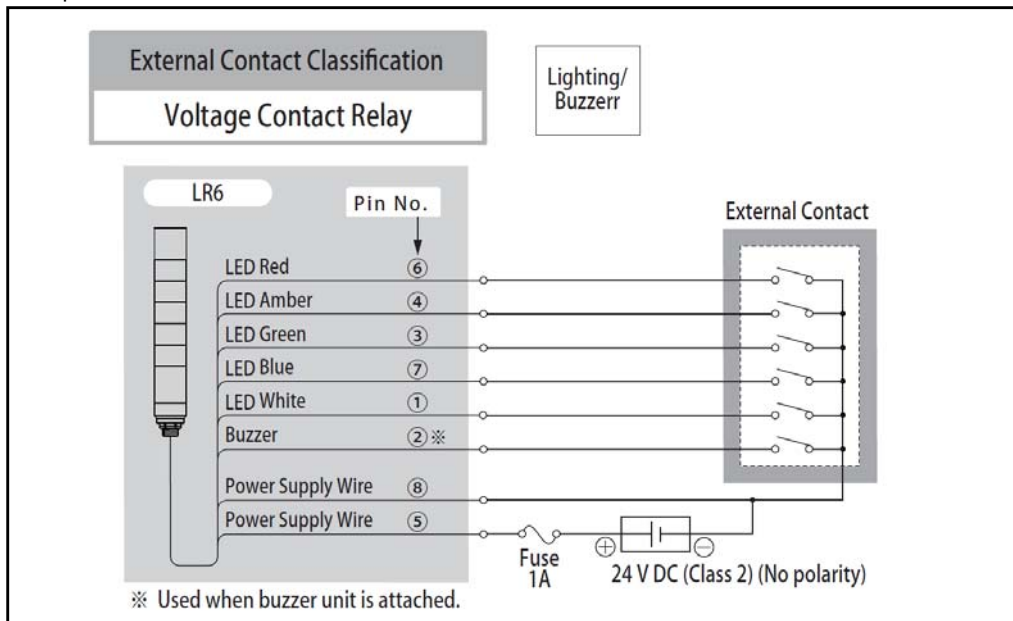
M12 Connector with Cable  
(Manufactured by the OMRON Corp.)



SZ-120-02 / -05 / -10  
(Lengths : 2m , 5m , 10m)

Pin No.	Wire Color
①	White
②	Brown
③	Green
④	Yellow
⑤	Gray
⑥	Pink
⑦	Blue
⑧	Red

#### 4.4 Wiring Example



#### 4.5 External Contact

Is : Current Capacity Vs : Withstand Voltage IL : Leakage Current

	Recommended contact capacity
LED Unit (1 Tier)	$I_s \geq 100\text{mA}$ $V_s \geq 35\text{V DC}$
Power Supply	$I_s \geq 300\text{mA}$ $V_s \geq 35\text{V DC}$
Leakage Current	$I_L \leq 0.1\text{mA}$

Is : Current Capacity Vs : Withstand Voltage IL : Leakage Current

	Recommended contact capacity
LED Unit (1 Tier)	$I_s \geq 100\text{mA}$ $V_s \geq 35\text{V DC}$
Buzzer	$I_s \geq 300\text{mA}$ $V_s \geq 35\text{V DC}$
Power Supply	$I_s \geq 500\text{mA}$ $V_s \geq 35\text{V DC}$
Leakage Current	$I_L \leq 0.1\text{mA}$

※Use when buzzer unit is attached

#### ■ Recommended Fuse

Fuse Rated Current	250 V / 1 A (5x20mm Fast-Acting Glass Body Cartridge Fuse )
--------------------	---